

Tank Man™ High Impact – High Performance

Seller's Tank Man provides effective, thorough tank cleaning with a minimum of cost and maintenance for a variety of applications:

- Brewing
- Chemical Processing
- Pharmaceuticals
- Food Processing
- Dairy
- Numerous Others

Simple Modern Design

Both the dual- and triple-nozzle tank cleaners concentrate hot or cold cleaning solutions into powerful scouring action.

- 360° cleaning pattern provides thorough non-stripping cleaning
- Non-lubricated
- Slow rotating speed reaches every tank surface
- Self-cleaning

Engineered Quality

The Tank Man's hydraulic drive means longer life and more reliability. No internal drive gears to worry about.

- Lubrication is provided by the cleaning solution
- Every unit proven prior to shipment
- Ease of field maintenance



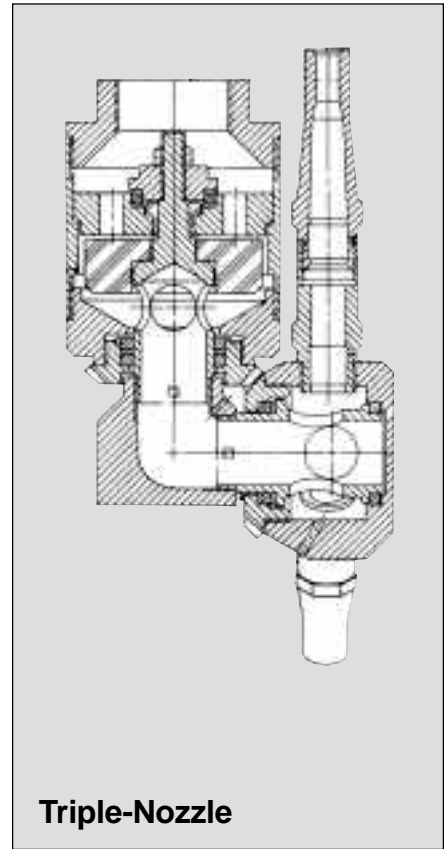
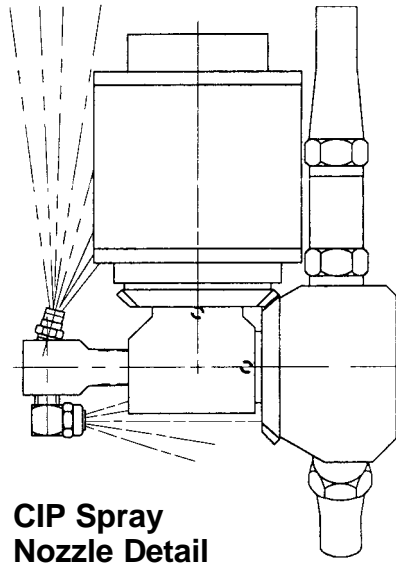
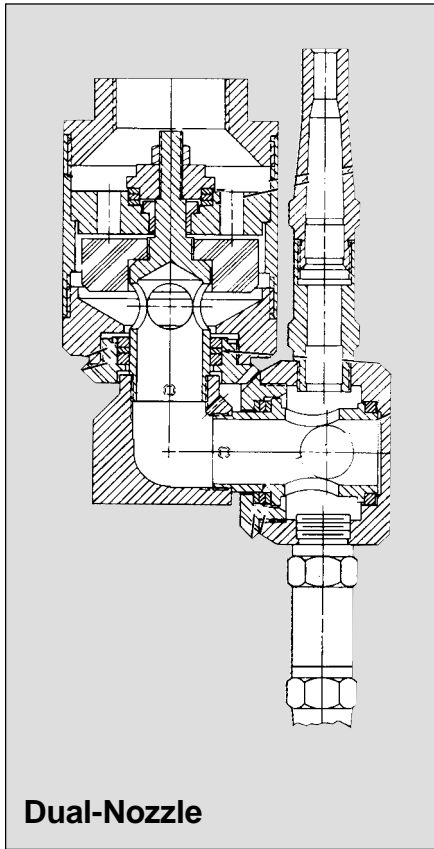
Dual-Nozzle

Triple-Nozzle

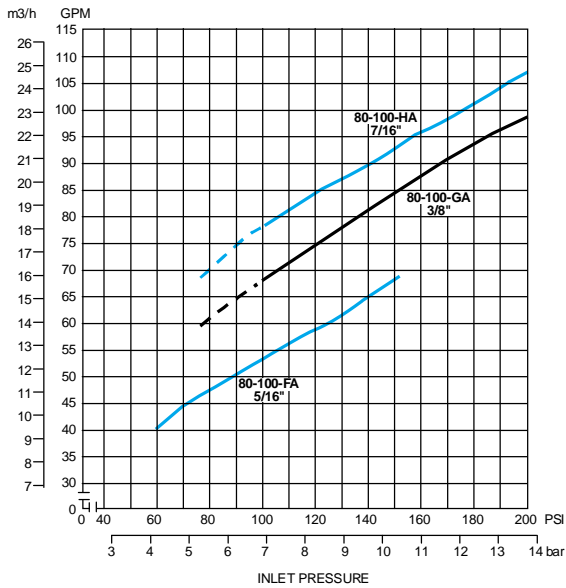
Specifications

Operating Pressure:	60-200 PSI (4.1-13.8 BAR)	Nozzle Orifice Diameter Options – Dual: 5/16 in (7.9 mm); 3/8 in (9.5 mm); 7/16 in (11 mm) Triple: 5/16 in (7.9 mm); 3/8 in (9.5 mm)
Flow Capacity:	40-135 GPM (151-511 l/m)	
Max. Operating Temp:	250°F (121°C)	
Effective Cleaning Radius:	22 ft (6.7 m)	Approx. Weight: 15 lbs (6.8 kgs)
Pipe Connection:	1-1/2 in NPSC	Materials: Stainless Steel; Food Grade Plastics

Technical Information

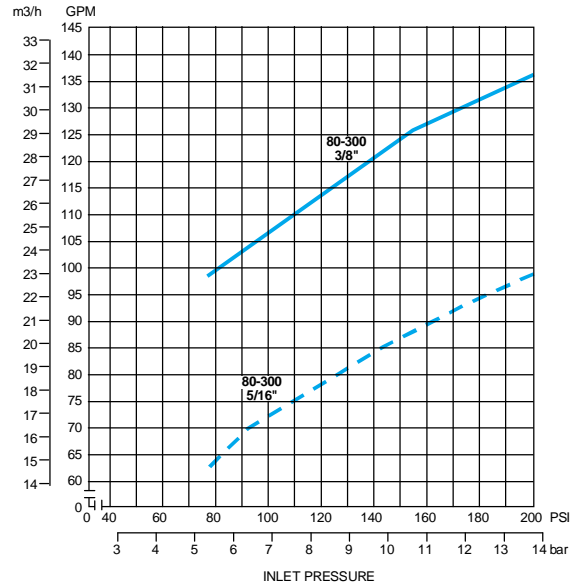


**Flow Versus Pressure for
Dual-Nozzle Tank Man**



Opening Size: 6.5 in
Weight: 12 lbs 10 oz

**Flow Versus Pressure for
Triple-Nozzle Tank Man**



Opening Size: 12.5 in
Weight: 13 lbs 4 oz



A Crane Co. Company

APPLIED SPRAY TECHNOLOGY
385 FAIRWAY RD. S., SUITE 4A-225
KITCHENER, ONTARIO N2C 2N9
PH: 519-896-2200 FX: 519-896-2201
WEB: <http://www.tankwasher.com>